

Quantum thermodynamics with a Josephson-photonics setup

Simon Dambach^a, Paul Egetmeyer, Joachim Ankerhold, and Björn Kubala

Institute for Complex Quantum Systems and Center for Integrated Quantum Science and Technology, Ulm University, Albert-Einstein-Allee 11, 89081 Ulm, Germany

Received 15 April 2018 / Received in final form 20 June 2018
Published online 24 January 2019

Abstract. Josephson-photonics devices have emerged in the last years as versatile platforms to study light-charge interactions far from equilibrium and to create nonclassical radiation. Their potential to operate as nanoscale heat engines has also been discussed. The complementary mode of cooling is investigated here in the regimes of low and large photon occupancy, where nonlinearities are essential.

1 Introduction

The experimental realization of thermal machines operating close to or even deep in the quantum regime is still in its infancy. Among others, particular progress has been made with superconducting platforms [1]. Basic elements in these devices are superconducting tunnel junctions, implemented as Josephson junctions (JJ), with intrinsic nonlinearity and robustness against quasiparticle excitations. Recently, Josephson photonics has emerged as a fascinating new field to explore charge-light interactions far from equilibrium [2–4]. There, the electrical energy carried by Cooper pairs tunneling through a dc-voltage-biased JJ is fully converted into photonic excitation quanta of microwave resonators. The details of this conversion and the feedback of the electromagnetic field onto the JJ can be controlled by the Josephson coupling energy and the impedance of the resonator; the latter one, playing the role of an effective fine-structure constant, can by design even approach values of order unity. The situation where in presence of two detuned resonators a single Cooper pair creates simultaneously two photons, one in each of them, gives rise to nonclassical radiation [5], but may also serve as a simple realization of a heat engine [6], cf. also [7–9]. Here, we briefly discuss the complementary mode, when it operates as a cooling device (power refrigerator). We address the conventional regime of low photon production as well as the semiclassical domain, where the performance of the machine is strongly influenced by nonlinear dynamics.

2 Josephson-photonics setup as quantum refrigerator

We consider a system (see Fig. 1) consisting of a Josephson junction biased by an external dc voltage V and two series-connected LC oscillators, denoted by c and h ,

^a e-mail: simon.dambach@uni-ulm.de

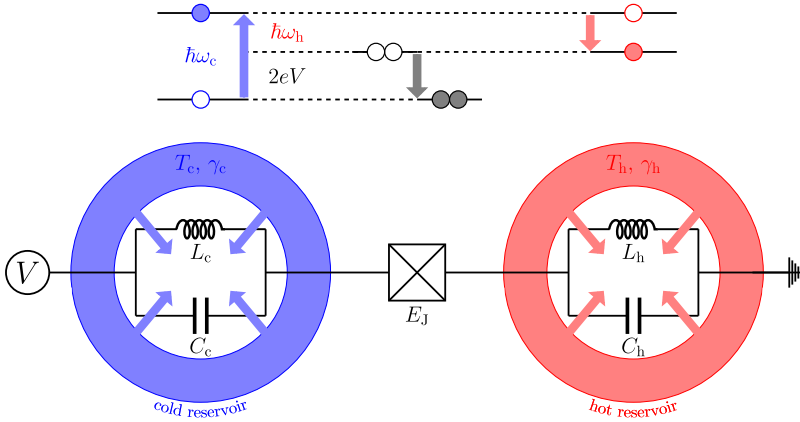


Fig. 1. Sketch of the circuit model and a schematic illustration of the cooling process.

with frequencies $\omega_{c(h)} = 1/\sqrt{L_{c(h)}C_{c(h)}}$. The two oscillators are coupled to thermal reservoirs with temperature T_c and T_h , respectively, which are characterized by the occupation number $N_{c(h)} = [\exp(\hbar\omega_{c(h)}/k_B T_{c(h)}) - 1]^{-1}$.

The setup can be modeled by the effective Hamiltonian [10,11]

$$H = \hbar\omega_c n_c + \hbar\omega_h n_h - E_J \cos(\omega_J \tau + \phi_c + \phi_h), \tag{1}$$

where phase $\phi_q = \Delta_q(a_q^\dagger + a_q)$ and photonic number operator $n_q = a_q^\dagger a_q$ of oscillator $q = \{c, h\}$ are given in terms of the standard bosonic creation and annihilation operators a_q^\dagger and a_q with $[a_q, a_q^\dagger] = 1$. The parameter $\Delta_q = (2e^2 Z_q / \hbar)^{1/2}$ gives the zero-point quantum fluctuations of the phase of oscillator q with $Z_q = (L_q / C_q)^{1/2}$ being the impedance.

By tuning the voltage V , we access the resonance $\omega_J = 2eV/\hbar \approx \omega_c - \omega_h$, where a Cooper-pair tunneling event across the junction is accompanied by the absorption of a photon from cavity h and the emission of a photon into cavity c . Close to this resonance, a (time-independent) rotating-wave Hamiltonian can be derived:

$$H_{\text{RWA}} = \hbar\delta_c n_c + \hbar\delta_h n_h + \frac{E_J^*}{2} : (a_c^\dagger a_h + a_c a_h^\dagger) \frac{J_1(2\Delta_c \sqrt{n_c}) J_1(2\Delta_h \sqrt{n_h})}{\sqrt{n_c} \sqrt{n_h}} : \tag{2}$$

with a renormalized Josephson energy $E_J^* = E_J \exp[-(\Delta_c^2 + \Delta_h^2)/2]$ and normal-ordered Bessel functions J_1 of the first kind. Detunings, $\delta_q = \tilde{\omega}_q - \omega_q$, are subjected to the constraint $\omega_J = \tilde{\omega}_c - \tilde{\omega}_h$.

Taking into account the coupling to thermal reservoirs as well as leakage of excited photons into the microwave output ports after a lifetime $1/\gamma_{c(h)}$, the dynamics of the density operator ρ is described by the master equation [10]

$$\frac{d\rho}{d\tau} = -\frac{i}{\hbar} [H_{\text{RWA}}, \rho] + \sum_{q=c,h} \frac{\gamma_q}{2} [(N_q + 1)(2a_q \rho a_q^\dagger - a_q^\dagger a_q \rho - \rho a_q^\dagger a_q) + N_q (2a_q^\dagger \rho a_q - a_q a_q^\dagger \rho - \rho a_q a_q^\dagger)]. \tag{3}$$

Considering energy conservation immediately leads to the energy balance relation

$$\gamma_c (\langle n_c \rangle_{\text{st}} - N_c) = \gamma_h (N_h - \langle n_h \rangle_{\text{st}}) \tag{4}$$

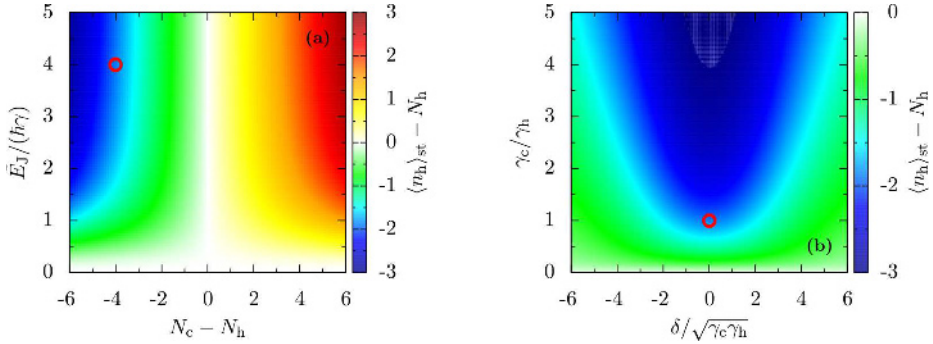


Fig. 2. Deviation of the mean steady-state photon occupation number $\langle n_h \rangle_{st}$ from thermal occupation N_h in the low-photon limit (Eq. (6)). Negative (positive) values indicate cooling (heating) of cavity h. Plot (a) (with fixed parameters $\delta = \delta_c - \delta_h = 0$ and $\gamma_c = \gamma_h = \gamma$) demonstrates that cooling of oscillator h necessarily requires $N_c < N_h$, i.e., $T_c/\omega_c < T_h/\omega_h$ [6]. The effect of cooling is enhanced with increasing driving E_J ; in the limit of strong driving, $\tilde{E}_J/(\hbar\gamma) \rightarrow \infty$, the photon occupation of the two cavities equilibrates: $\langle n_c \rangle_{st} = \langle n_h \rangle_{st} = (N_c + N_h)/2$. Plot (b) illustrates the influence of finite detuning, $\delta \neq 0$, and asymmetric decay rates, $\gamma_c/\gamma_h \neq 1$, on the cooling effect in cavity h for parameters $\tilde{E}_J/(\hbar\sqrt{\gamma_c \gamma_h}) = 4$ and $N_c - N_h = -4$ (red circle). While detuning reduces the cooling, an increased coupling $\gamma_c > \gamma_h$ leads to stronger cooling since cavity c stays closer to the thermal equilibrium with the cold reservoir.

so that the steady-state mean photon occupations $\langle n_c \rangle_{st}$ and $\langle n_h \rangle_{st}$ are linked.

3 The low-photon limit

In the regime of sufficiently low photon occupation where $2\Delta_{c(h)}\sqrt{\langle n_{c(h)} \rangle} \ll 1$, we can expand the Bessel functions in the Hamiltonian (Eq. (2)) to lowest order:

$$H_{\text{RWA}}^{(0)} = \hbar\delta_c n_c + \hbar\delta_h n_h + \frac{\tilde{E}_J}{2} \left(a_c^\dagger a_h + a_c a_h^\dagger \right) \quad (5)$$

with $\tilde{E}_J = \Delta_c \Delta_h E_J^*$. Based on this linearized Hamiltonian $H_{\text{RWA}}^{(0)}$ and the quantum master equation in equation (3), equations of motions are derived which yield the steady-state mean occupations of the cavities

$$\langle n_h \rangle_{st} - N_h = \frac{(N_c - N_h)(1 + \gamma_c/\gamma_h)}{(2 + \gamma_c/\gamma_h + \gamma_h/\gamma_c)[1 + \hbar^2\gamma_c\gamma_h/\tilde{E}_J^2] + 4[(\delta_c - \delta_h)\hbar\sqrt{\gamma_c\gamma_h}/\tilde{E}_J]^2}, \quad (6)$$

where $\langle n_c \rangle_{st}$ follows from $\langle n_h \rangle_{st}$ by exchanging c and h. Figure 2 illustrates various cooling and heating scenarios based on this analytical result.

4 The semiclassical limit

To explore the regime of higher photon numbers, we turn toward a semiclassical description, i.e., we assume that quantum fluctuations $\Delta_{c(h)}$ are small. Assuming a Gaussian Wigner density for the cavity states, equations of motions for the second

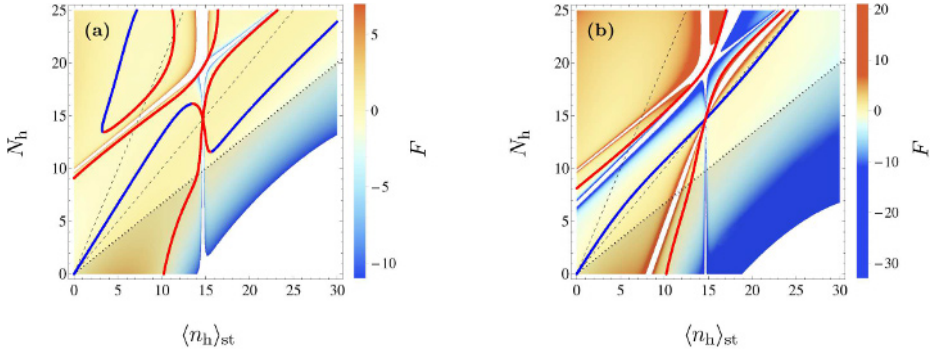


Fig. 3. Self-consistency function F and stable (blue) and unstable solutions (red) [$F = 0 \Leftrightarrow \partial_\tau(\langle n_c \rangle, \langle n_h \rangle, \langle a_c^\dagger a_h \rangle)^T = 0$] (a) without and (b) with detuning $\delta = 0.16E_J/\hbar$; other parameters are $\gamma_c = \gamma_h = 0.12E_J/\hbar$ and $\Delta_c = \Delta_h = 0.5$ and $N_c = N_h/2$. Dashed lines indicate $\langle n_h \rangle_{st} = N_h$ and $\langle n_h \rangle_{st} = N_c = N_h/2$. For values $\langle n_h \rangle_{st} > \langle n_h \rangle_{st}^{\max}$ (shown as darker region), the solution for $\langle n_c \rangle_{st}$ is nonphysical (negative). The structure of F is determined by the vanishing of the transfer rate between the cavities (i.e., the second term in Eq. (7)) at zeros of the Bessel functions. Such zeros lead to poles in F (white regions) for certain fixed values of $\langle n_h \rangle_{st} \approx 14.68$ (vertical white regions) or if $\langle n_c \rangle_{st}$ takes the same value (sloped white region, cf. Eq. (4)). For finite detuning, additional poles appear. Interestingly, multiple stable solutions for $\langle n_h \rangle_{st}$ exist for certain fixed parameters N_h . Such solutions are separated by a crossing of a Bessel zero and correspondingly a sign change of the transition amplitude in the equation of motion (Eq. (7)).

moments result:

$$\frac{d\langle n_c \rangle}{d\tau} = \gamma_c(N_c - \langle n_c \rangle) + \frac{E_J^*}{\hbar} \text{Im}\{\langle a_c^\dagger a_h \rangle\} \frac{J_1(2\Delta_c \sqrt{\langle n_c \rangle}) J_1(2\Delta_h \sqrt{\langle n_h \rangle})}{\sqrt{\langle n_c \rangle} \sqrt{\langle n_h \rangle}} \quad (\text{and } c \leftrightarrow h) \quad (7)$$

$$\begin{aligned} \frac{d\langle a_c^\dagger a_h \rangle}{d\tau} = & \left[i\delta - \frac{1}{2}(\gamma_c + \gamma_h) \right] \langle a_c^\dagger a_h \rangle \\ & - i \frac{E_J^*}{2\hbar} \left[\langle a_c^\dagger a_h \rangle^2 \left(\Delta_c \frac{J_2(2\Delta_c \sqrt{\langle n_c \rangle}) J_1(2\Delta_h \sqrt{\langle n_h \rangle})}{\langle n_c \rangle \sqrt{\langle n_h \rangle}} - c \leftrightarrow h \right) \right. \\ & \left. - \left(\Delta_c \langle n_h \rangle \frac{J_0(2\Delta_c \sqrt{\langle n_c \rangle}) J_1(2\Delta_h \sqrt{\langle n_h \rangle})}{\sqrt{\langle n_h \rangle}} - c \leftrightarrow h \right) \right]. \quad (8) \end{aligned}$$

Stationary solutions for the cavity state $(\langle n_c \rangle, \langle n_h \rangle, \langle a_c^\dagger a_h \rangle)^T$ are found from these equations by iteratively eliminating the other variables so that finally a self-consistent equation $F(\langle n_h \rangle_{st}) = 0$ for $\langle n_h \rangle_{st}$ alone is obtained. Note that from the energy balance equation (Eq. (4)) a limitation $\langle n_h \rangle_{st} < \langle n_h \rangle_{st}^{\max} = \gamma_c N_c + \gamma_h N_h$ results from requiring a positive $\langle n_c \rangle_{st}$. The self-consistency function F can be employed to understand the structure of steady-state solutions, which becomes complicated (e.g., multivalued) beyond the linear regime as shown for various parameters in Figure 3. Stability and relaxation toward the steady state is further discussed in Figure 4.

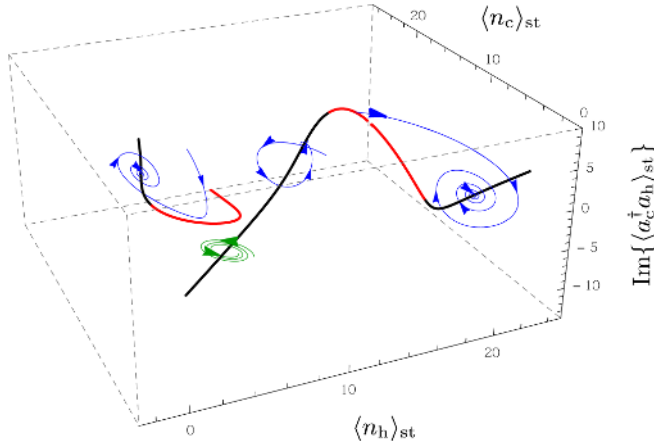


Fig. 4. Semiclassical trajectories of the system state $(\langle n_c \rangle, \langle n_h \rangle, \langle a_c^\dagger a_h \rangle)^T$ for fixed values of the system parameters: $\Delta_c = \Delta_h = 0.5$, $\gamma_c = \gamma_h = 0.12E_J/\hbar$, $\delta = 0$ so that $\text{Re}\{\langle a_c^\dagger a_h \rangle\} = 0$, $N_h = 2N_c = 15.5$ (blue) and 5 (green). Thick lines indicate the stable (black) and unstable (red) solutions for $N_h = 2N_c \in [2, 25]$, also visible in Figure 3a (cf. the upper left and the S-shaped curve in that plot). Depending on the initial system state, different stable solutions are reached. In the low-photon regime, $N_h = 5$ (green), starting from an initial thermal occupation of the cavities (e.g., by $E_J(\tau < 0) = 0$) always the trivial steady state with $N_c < \langle n_c \rangle_{st} < \langle n_h \rangle_{st} < N_h$ is reached. To reach a desired stationary state (e.g., the ‘ultra-cold’ solution with $\langle n_h \rangle_{st} < N_c$ from an initial thermal state), parameter control, which is more complex than a sudden switching on of E_J at $\tau = 0$, may be employed.

5 Conclusions

We investigated the possibility of using a Josephson-photonics setup, where two microwave-stripline cavities are connected by a dc-biased junction, to cool down one of the cavities. In a process similar to sideband cooling, an excitation from the cooling target is combined with the energy provided by the bias to deposit a photon in the heat dump.

In the low-photon regime, the cavity with higher occupation will be cooled down as the mean occupations of the two cavities are pulled closer by increasing Josephson coupling. For higher occupations, the full nonlinearity of the Josephson junction comes into play and our semiclassical analysis predicts a novel ‘ultra-cold’ solution. Stability and accessibility of this solution in the full quantum regime as well as the effect of multistability on the quantum statistics of the heat transfer remain to be explored. Josephson-photonics setups may offer unique insight into the statistics of quantum heat flow due to the possibility of observing photon emission to the reservoirs.

The authors would like to thank M.I. Dykman and F. Portier for valuable discussions. This work was supported by the Center for Integrated Quantum Science and Technology (IQST) and by the Deutsche Forschungsgemeinschaft (DFG) through Grant No. AN336/11-1. S.D. acknowledges financial support from the Carl-Zeiss-Stiftung.

Author contribution statement

All authors participated in the planning of the project and were involved in the analysis and interpretation of the results. S.D., J.A., and B.K. wrote the manuscript.

References

1. J.P. Pekola, *Nat. Phys.* **11**, 118 (2015)
2. M. Hofheinz, F. Portier, Q. Baudouin, P. Joyez, D. Vion, P. Bertet, P. Roche, D. Esteve, *Phys. Rev. Lett.* **106**, 217005 (2011)
3. F. Chen, J. Li, A.D. Armour, E. Brahim, J. Stettenheim, A.J. Sirois, R.W. Simmonds, M.P. Blencowe, A.J. Rimberg, *Phys. Rev. B* **90**, 020506 (2014)
4. M.C. Cassidy, A. Bruno, S. Rubbert, M. Irfan, J. Kammhuber, R.N. Schouten, A.R. Akhmerov, L.P. Kouwenhoven, *Science* **355**, 939 (2017)
5. M. Westig, B. Kubala, O. Parlavecchio, Y. Mukharsky, C. Altimiras, P. Joyez, D. Vion, P. Roche, D. Esteve, M. Hofheinz, M. Trif, P. Simon, J. Ankerhold, F. Portier, *Phys. Rev. Lett.* **119**, 137001 (2017)
6. P.P. Hofer, J.-R. Souquet, A.A. Clerk, *Phys. Rev. B* **93**, 041418 (2016)
7. P.P. Hofer, M. Perarnau-Llobet, J.B. Brask, R. Silva, M. Huber, N. Brunner, *Phys. Rev. B* **94**, 235420 (2016)
8. P.P. Hofer, M.T. Mitchison, [arXiv:1803.06133](https://arxiv.org/abs/1803.06133)
9. J. Leppäkangas, M. Marthaler, D. Hazra, S. Jebari, R. Albert, F. Blanchet, G. Johansson, M. Hofheinz, *Phys. Rev. A* **97**, 013855 (2018)
10. A.D. Armour, B. Kubala, J. Ankerhold, *Phys. Rev. B* **91**, 184508 (2015)
11. M. Trif, P. Simon, *Phys. Rev. B* **92**, 014503 (2015)