

Cláudia Paiva Nunes · Arnaldo Zaha · Bruno Gottstein
Norbert Müller · María del Mar Siles-Lucas

14-3-3 gene characterization and description of a second 14-3-3 isoform in both *Echinococcus granulosus* and *E. multilocularis*

Received: 5 May 2003 / Accepted: 17 May 2004 / Published online: 25 June 2004
© Springer-Verlag 2004

Abstract Members of the 14-3-3 protein family have been identified as regulatory molecules in intracellular signaling pathways and cell cycle control. Previously, the first *Echinococcus* 14-3-3 isoform (E14-3-3.1) was isolated from *E. granulosus* and *E. multilocularis* metacystode stages. Hyperexpression of this isoform was claimed to be associated with non-restricted tumor-like growth of the *E. multilocularis* metacystode. In this report, we describe the characterization of a 14-3-3 cDNA from *E. granulosus* and *E. multilocularis* corresponding to a second isoform of this family, E14-3-3.2. The characterized 14-3-3 gene was interrupted by two introns whose sequence and positions were conserved in both *Echinococcus* species. The deduced amino acid sequence of E14-3-3.2 showed 88% identity to the E14-3-3.1 isoform and 52% identity to a third *Echinococcus* isoform (E14-3-3.3) described by other authors. These findings, coupled to Southern blot analysis, suggest the presence of more than one 14-3-3 gene in *Echinococcus*. Phylogenetically, the *Echinococcus* 14-3-3.1 and 14-3-3.2 isoforms appeared to cluster with zeta-type (“protumorigenic”) 14-3-3 isoforms from closely related organisms, whereas the E14-3-3.3 isoform grouped with 14-3-3 epsilon isoforms. The presence of more than one 14-3-3 isoform might indicate isoform-specific roles in the different parasite stages of *Echinococcus*.

Introduction

Echinococcosis is a worldwide zoonotic disease, with *Echinococcus granulosus* and *E. multilocularis* being the most studied species. The larval stage, the metacystode, develops in several mammalian intermediate host species, including humans, while the adult tapeworm generally develops mainly in dogs and foxes. The adult worm reproduces sexually, while asexual proliferation takes part inside the metacystode (Thompson 1995). One of the major physio-morphological differences between *E. granulosus* and *E. multilocularis* lies in the metacystode structure and growth behavior. More specifically, the *E. granulosus* metacystode is represented by an unilocular, fluid-filled, slowly-growing cyst, consisting of an inner germinal layer, a subsequent laminated layer and an external adventitial tissue, the latter produced by the host. The *E. multilocularis* metacystode includes basically the same tissue structures. It is, however, multivesiculated and exhibits infiltrative proliferation, tumor-like behavior and no restrictive host–tissue barrier (Siles-Lucas et al. 2001). For *E. multilocularis*, a putative relationship between the stage-specific overexpression of the parasite 14-3-3 protein and the non-restricted growth of the *E. multilocularis* metacystode has been proposed (Siles-Lucas et al. 1998, 2001).

Initially discovered at high expression levels in the mammalian brain, the 14-3-3 proteins were later isolated from a wide range of eukaryotic organisms and cell types. In mammals, seven 14-3-3 isoforms have already been described. These are found differentially expressed in a variety of tissues and are associated with several key cell-cycle molecules, suggesting multifunctional roles for the 14-3-3 proteins (Aitken et al. 1992; Jones et al. 1995). Similar to what is described for the actin protein family, 14-3-3 isoform-specific sequences are conserved among eukaryotes (Wang and Shakes 1996; Rosenquist et al. 2000; Ferl et al. 2002).

The 14-3-3 proteins are also found in parasites, e.g. *Schistosoma mansoni*, in which three isoforms have

C. P. Nunes (✉) · A. Zaha
Centro de Biotecnologia, Universidade Federal do Rio Grande do Sul, Caixa Postal 15005, RS 91501-970 Porto Alegre, Brazil
E-mail: paiva@adufgrs.ufrgs.br
Tel.: +55-51-33166070
Fax: +55-51-33167309

B. Gottstein · N. Müller
Institute of Parasitology, University of Berne, Switzerland

M. M. Siles-Lucas
Unidad de Parasitología, Facultad de Farmacia,
Universidad de Salamanca, Spain

already been described (Schechtman et al. 1995; McGonigle et al. 2001, 2002).

In *Echinococcus*, the presence of a second 14-3-3 isoform was suggested, as detected by immunoblot and immunolocalization in *E. granulosus* adult worms (Siles-Lucas et al. 2000). A putative third isoform from this cestode was later identified by Fernández et al. (2002). The presence of additional 14-3-3 isoforms in *Echinococcus* cannot be ruled out. Furthermore, 14-3-3 gene organization, intron–exon structure and genetic processing for each isoform are still unknown in this parasite genus.

In the present work, a polymerase chain reaction (PCR)-based approach was used to investigate both the genetic structure of the 14-3-3 gene(s) in *E. granulosus* and *E. multilocularis* and also to isolate and characterize other possible 14-3-3 isoforms from different parasite stages (adult worms, protoscoleces, metacestode tissue) of *Echinococcus* species.

Materials and methods

Parasite material and nucleic acid (DNA, RNA) extraction

Echinococcus granulosus protoscoleces and metacestode tissue (germinal layer) were obtained from naturally infected cows at local abattoirs in Rio Grande do Sul (Brazil). *E. granulosus* adult worms were kindly provided by Dr. Malgor (Unidad de Biología Parasitaria, Facultad de Ciencias, Instituto de Higiene, Universidad de la Republica, Montevideo, Uruguay). *E. multilocularis* metacestode tissue samples (isolate KF5) were obtained either from experimentally infected mice or from in vitro culture-derived material, as described by Siles-Lucas et al. (1998).

E. multilocularis adult worms were kindly provided by Dr. P. Deplazes (Institute of Parasitology, University of Zurich, Switzerland). Total RNA from all the above-mentioned samples was extracted using the Trizol reagent (Life Technologies, Basel, Switzerland) according to the manufacturer's instructions. Total genomic DNA from both parasite species was extracted by standard procedures, as described by McManus et al. (1985).

Southern blot analysis

For Southern analysis, 10 µg of *E. granulosus* total genomic DNA was digested with *EcoRI*, *HincII*, *HindIII*, *SalI* or *XhoI* (Life Technologies, Rockville, Md.). After digestion, the respective products were separated by agarose electrophoresis in Tris-borate-EDTA (TBE) buffer, transferred onto positively charged Nylon membranes (Hybond-N+; Amersham Biosciences, Little Chalfont, UK) by capillary action, dried and cross-linked at 80 °C for 2 h. A specific DNA probe, consisting of the cDNA fragment corresponding to

nucleotides 57–365 of the *E. granulosus* 14-3-3 isoform 2 isolated in this work, containing an internal *HincII* site, was obtained through PCR using the primer pair 12AA (degenerated; 5'-GCGAARCTTGCBGARCARGC-3') and 65U (5'-GCTTCAGCACCAATTTTCTC-3'). This 308-bp fragment was radioactively labeled with α^{32} -dCTP, using the Random primer DNA labeling system (Life Technologies, Rockville, Md.) according to the manufacturer's instructions. Probe hybridization on the membrane containing the digested *E. granulosus* genomic DNA was carried out at 60 °C overnight, followed by four consecutive 15-min washes in 5 \times , 2 \times , 1 \times and 0.5 \times 0.3 M standard sodium citrate buffer plus 0.1% SDS at 40 °C.

RT-PCR and PCR amplification

First-strand cDNA was synthesized from *E. granulosus* and *E. multilocularis* adult worms, protoscoleces and metacestode tissue using Superscript reverse transcriptase (Life Technologies, Basel, Switzerland) or the 5'RACE/3'RACE kit (Boehringer, Mannheim, Germany) as recommended by the manufacturer. The cDNAs were subsequently subjected to PCR reactions, using the 5'RACE anchor primer (Boehringer, Mannheim, Germany) and the *Echinococcus* 14-3-3 E2U specific primer (5'-CTCAATCAGAACCACGACAG-3'). For *Echinococcus* genomic DNA amplification, PCR reactions were done with specific iso2 (5'-ATGGCAGCTATCACCTCTTGG-3') and E2U primers. All PCR reactions were performed with 100 µmol of each dNTP, 100 ng of each primer and 1 unit of Taq DNA polymerase, plus respective buffer (Cenbiot, UFRGS, Porto Alegre, Brazil), in a final volume of 50 µl. Reactions were run for 35 cycles of 94 °C for 40 s, 50 °C for 1 min and 72 °C for 1 min, with a final extension step of 72 °C for 5 min.

Cloning and sequencing of specific DNA fragments

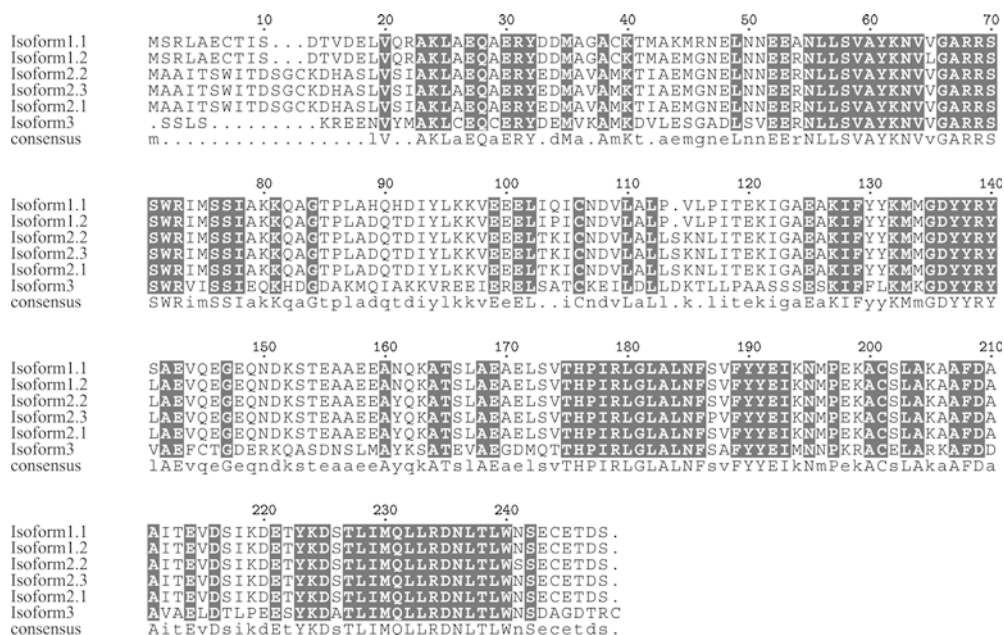
PCR-amplified products were separated by electrophoresis through TBE-agarose gels. Corresponding bands were excised from the gel and purified using the GFX™-PCR-DNA and Gel band purification kit (Amersham Biosciences), following the manufacturer's instructions. Purified PCR amplicons were directly sequenced (see next section) or cloned into the pGEM-T vector (Promega, Madison, USA), again following the manufacturer's instructions. Corresponding ligation reactions were used for the transformation of *Escherichia coli* XL1-Blue competent cells, according to a protocol described by Sambrook et al. (1989). Selected recombinant colonies were grown and corresponding recombinant plasmids were extracted using the PeqLab kit (Stratagene, La Jolla, Calif.). PCR products and recombinant pGEM-T vectors were either automatically sequenced (Microsynth, Basel, Switzerland), or

manually sequenced by the dideoxy chain-termination method (Sanger et al. 1977) using the Thermo Sequenase radiolabeled terminator cycle sequencing kit (Amersham Biosciences) and the Model SA adjustable sequencing gel electrophoresis system (Life Technologies, Rockville, Md.) according to the manufacturers' instructions. Primers T7 and M13 were used for pGEM-inserted sequences and primers iso2 and E2U for purified PCR products.

Alignments, phylogenetic analysis and gene structure comparison

The specific 14-3-3 sequences from both *E. granulosus* and *E. multilocularis* genomic DNA and cDNA fragments obtained during our experiments, together with those from the same species available in GenBank (accessions AF529418, AF529419, BF643012), were aligned using the CLUSTAL X (Thompson et al. 1997) and TEXshade (Beitz 2000) computer programs. The putative translation of the above-mentioned sequences was used to construct a second alignment (see Fig. 1). In order to perform a phylogenetic analysis, a third alignment was done with the three *Echinococcus* putative protein sequences corresponding to isoforms 1, 2 and 3,

Fig. 1 Alignment of *Echinococcus granulosus* and *E. multilocularis* 14-3-3 predicted amino acid sequences. The alignment was generated using the ClustalX and TEXshade computer programs. *Isoform 1.1* *E. granulosus* metacystode tissue, *Isoform 1.2* *E. multilocularis* metacystode tissue, *Isoform 2.2* *E. granulosus* adult worms, *Isoform 2.3* *E. multilocularis* adult worms, *Isoform 2.1* *E. granulosus* and *E. multilocularis* adult worms, *Isoform 3* *E. granulosus* protoscoleces, *Consensus* consensus sequence. Identical amino acids are shaded in black. Boxes correspond to similar regions. Dots indicate gaps in the generated alignment. Upper case indicates conserved residues in all aligned sequences, lower case indicates conserved residues in 60–80% of the aligned sequences



including also those 14-3-3 protein sequences from other organisms used in the phylogenetic analysis performed by Wang and Shakes (1996), plus the GenBank-available sequences of the 14-3-3 protein from *Schistosoma* (see Fig. 4). A neighbor-joining distance tree was obtained from the full alignment of the core region of different 14-3-3 isoforms from several organisms, using the MEGA ver. 2.1 program (Kumar et al. 2001).

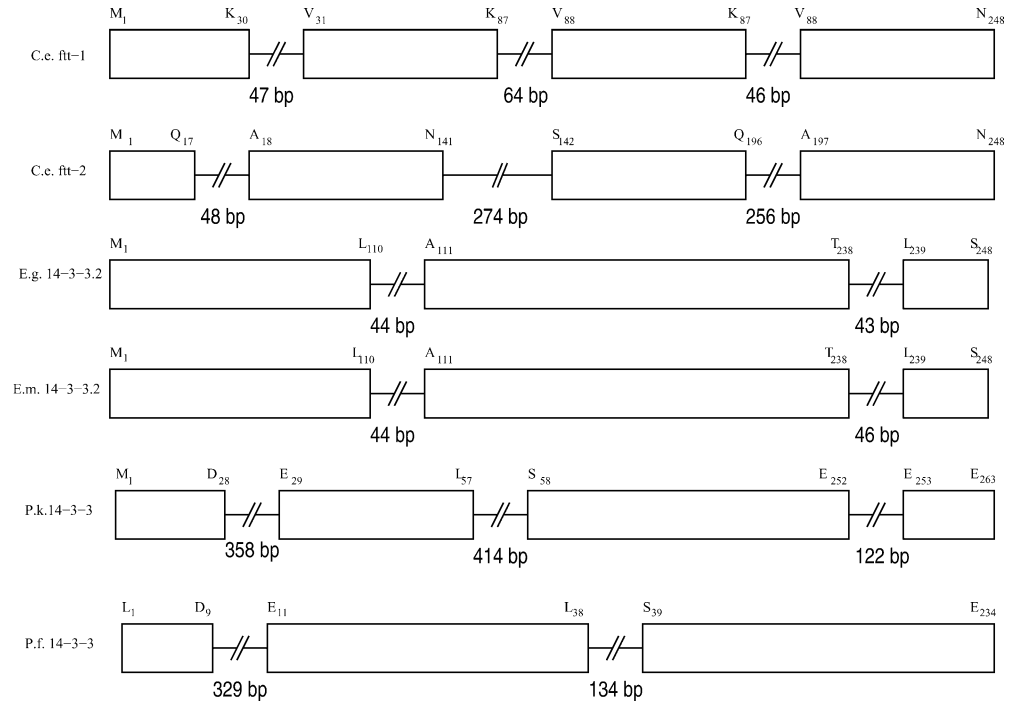
Genomic DNA sequences from both *E. granulosus* and *E. multilocularis*, compared with the corresponding gene sequences in *Caenorhabditis elegans* (GenBank Z73910 and Z66564), *Plasmodium knowlesi* (GenBank AF065986) and *P. falciparum* (GenBank AF065987), were used for the construction of a gene physical structure map (see Fig. 2), as described by Voigt et al. (2000) and DeLille et al. (2001).

Results

Cloning, sequencing and sequence analysis

Sequencing of 14-3-3 cDNAs from *Echinococcus granulosus* and *E. multilocularis* obtained by PCR showed a 774-bp open reading frame for adult worms, protoscoleces and metacystode tissue, subsequently called isoform 2 (E14-3-3.2). Putative translation of sequences provided three proteins of 248 amino acids, which were identical, except for single substitutions (at position 187 in isoform 2.3 and position 241 in isoform 2.2; see Fig. 1). The three proteins showed the characteristic motifs of the 14-3-3 family (Wang and Shakes 1996). The E14-3-3.2 sequence presented minor differences from those previously published for the metacystode stage of both species (Siles-Lucas et al. 2001; GenBank AF207904, U63643), subsequently called *Echinococcus* 14-3-3 isoform 1 (E14-3-3.1). It also presented major

Fig. 2 Physical structure of 14-3-3 genes. *C.e. ftt-1* and *C.e. ftt-2* *Caenorhabditis elegans* (GenBank Z73910, Z66564), *E.g. 14-3-3.2* *E. granulosus*, *E.m. 14-3-3.2* *E. multilocularis*, *P.k. 14-3-3* *Plasmodium knowlesi* (GenBank AF065986), *P.f. 14-3-3* *P. falciparum* (GenBank AF065987). Boxes represent exons while lines represent introns. Numbers indicate amino acid positions at the beginning and the end of each exon



differences with a third, 5'-end truncated sequence, isolated from *E. granulosus* protoscoleces (Fernández et al. 2002) and subsequently called *Echinococcus* 14-3-3 isoform 3 (E14-3-3.3, GenBank BF643012; see Fig. 1).

The following differences were observed regarding both composition and length of the sequences:

1. E14-3-3.2 presented four additional amino acids when compared with E14-3-3.1.
2. The N-terminal region was the most divergent between both above-mentioned sequences.
3. The overall identity between the isoforms, compared with isoform 1.1 (from *E. multilocularis* metacystode tissue) were 95% (isoform 1.2), 88% (isoforms 2.1, 2.2, 2.3) and 52% (isoform 3; see Fig. 1).

To analyze the *Echinococcus* 14-3-3 genomic DNA sequences, PCR was carried out using the specific primers iso2 and E2U on total DNA from *E. granulosus* and *E. multilocularis* and the 14-3-3 genomic sequences from both species obtained here proved to be very similar (97% identity). The genetic structure of both sequences was compared with homologous genes in other organisms. As shown in Fig. 2, the genomic sequences from both *Echinococcus* species contained three exons, interrupted by two introns which were highly conserved in their positions and sequences. Exon-intron boundaries, which lay outside functional domains, were found to be conventional in both species (data not shown).

Southern analysis

To verify 14-3-3 gene copy numbers in *Echinococcus*, total DNA from *E. granulosus* was digested with several

restriction enzymes, transferred to a Nylon membrane and hybridized with an *Echinococcus* 14-3-3-specific probe (see Materials and methods). DNA digested with *EcoRI*, *SalI* and *XhoI*, which do not cut within the known *Echinococcus* 14-3-3 cDNA and genomic DNA, resulted in seven, two and two hybridization bands with different intensities, respectively (see Fig. 3). Corresponding patterns with *HincII* and *HindIII*, which putatively cut once each inside the *E. granulosus* genomic DNA sequence (although at sites that lay either before or after the sequence of the probe used for hybridization; data not shown), exhibited six and four hybridization bands with different intensities, respectively.

Phylogenetic analysis of the *Echinococcus* 14-3-3 protein

Putative sequences from the E14-3-3.1, E14-3-3.2 and E14-3-3.3 protein isoforms were aligned with selected homologous sequences from other organisms (see Materials and methods). This alignment was further used for the construction of a phylogenetic tree, showed in Fig. 4. The *Echinococcus* 14-3-3.1 and 14-3-3.2 sequences clustered in a separate group from the *Echinococcus* 14-3-3.3 isoform. Isoforms 1 and 2 clustered with 14-3-3 sequences from eukaryotes (mostly mammals), including two *Schistosoma* 14-3-3 sequences. The third *Echinococcus* isoform integrated within the group corresponding to 14-3-3 sequences from *Schistosoma*, described as the epsilon isoform.

The sequence data reported herein have been deposited in GenBank under accessions AF529418, AF529419, AF529420.

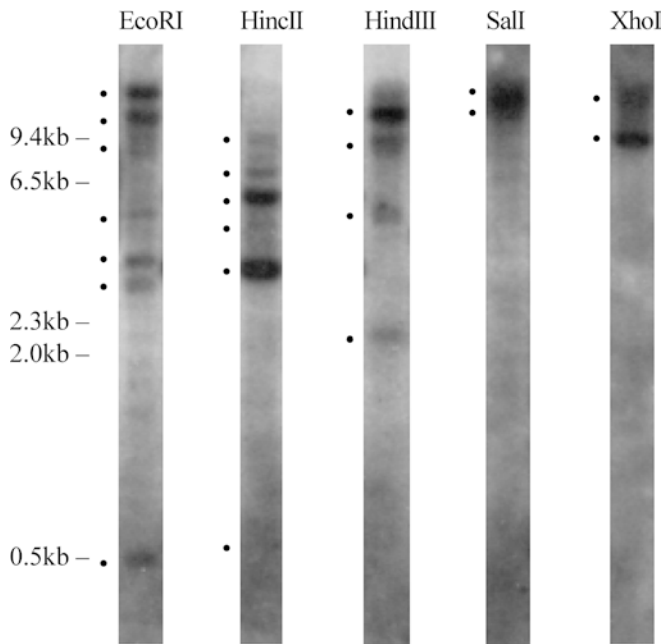


Fig. 3 Southern analysis of *E. granulosus* genomic DNA. Total DNA (10 µg/well) was digested with *EcoRI*, *HincII*, *HindIII*, *Sall* and *XhoI*. A cDNA fragment corresponding to nucleotides 57–365 of the coding sequence from the *E. granulosus* adult worm 14-3-3 isoform 2 (see Fig. 1) was used as probe. Positions of DNA size markers (Amersham Biosciences phage λ digested with *HindIII*) are indicated at the left of the figure. Corresponding hybridization signals in each well are marked with dots

Discussion

The 14-3-3 proteins have been described as key molecules in eukaryotic cell biology (Aitken et al. 1992). These proteins were present in several isoforms in the same organism, resulting in the presence of isoforms or counterpart (orthologous) sequences (Wang and Shakes 1996). Thus, one specific isoform of a defined organism shared higher identities with the corresponding isoform in other organisms than with other isoforms from the same organism.

The presence of several 14-3-3 isoforms within the same organism seems to be a general rule (Rosenquist et al. 2000; McGonigle et al. 2002). Recent findings suggest that differences between isoforms can reflect a cell-specific localization and/or a distinct functionality (Rosenquist et al. 2000). In *Echinococcus*, a first 14-3-3 isoform expressed in metacestode tissues was described, and its over-expression was related with the non-restricted growth potential of the *E. multilocularis* metacestode (Siles-Lucas et al. 1998; E14-3-3.1). Later, the presence of a second isoform was suggested, functionally related with metabolic (excretory/secretory) processes in *Echinococcus* adult worms (Siles-Lucas et al. 2001). Finally, a third isoform was isolated and sequenced from *E. granulosus* (Fernández et al. 2002; E14-3-3.3), but no putative functionality has so far been assigned to this last isoform.

We now report the identification and isolation of the second *Echinococcus* 14-3-3 isoform (called here E14-3-3.2), common to adult worms, protoscoleces and metacestode tissue from both *E. granulosus* and *E. multilocularis*. E14-3-3.2 sequences showed differences when compared with both E14-3-3.1 (88–86% identity) and E14-3-3.3 (52% identity). The percentage of identity between these latter two *Echinococcus* isoforms is smaller than that usually observed between different species in a given 14-3-3 isoform family, although higher than between different isoforms from the same species (Rosenquist et al. 2000). Similarly, isoforms ftt-1 and ftt-2 from *Caenorhabditis elegans* showed 90% similarity (Wang and Shakes 1997). Despite this high similarity, both sequences represent separate isoforms, which differ, among other details, in their expression patterns.

Both *E. granulosus* E14-3-3.1 and E14-3-3.2 isoforms share higher similarities with the corresponding isoform in *E. multilocularis* than with each other. This could indicate that the duplication event occurred before the separation of the two species.

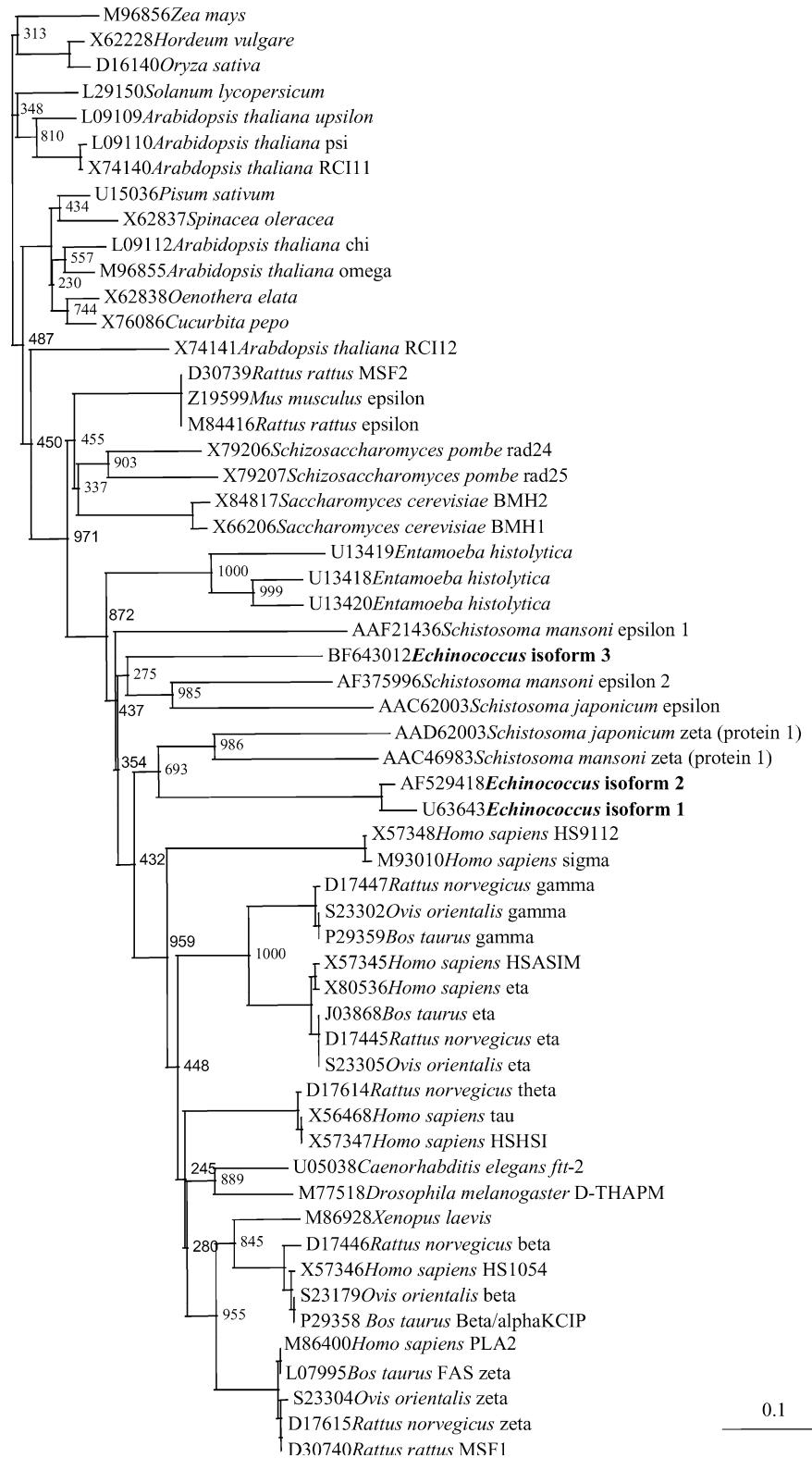
The nucleotide alignment of isoforms E14-3-3.1 and E14-3-3.2 with a third, 5'-end truncated 14-3-3 isoform isolated from *E. granulosus* (Fernández et al. 2002) showed much lower similarities (approximately 50%; data not shown). Thus, E14-3-3.3 corresponds to a distinct 14-3-3 isoform in *Echinococcus*, as it fulfills the expected requirements (Rosenquist et al. 2000).

The coding region of the *Echinococcus* 14-3-3 gene characterized in the present work corresponds to the E14-3-3.2 isoform, interrupted by two introns. We could not find, using the same PCR-based strategy, a genomic counterpart for isoforms 1, 3 or others. This could be attributed to a high E14-3-3.1 specificity of the primers used in our approach.

Introns 1 and 2 were found in conserved positions when *E. granulosus* and *E. multilocularis* 14-3-3 genes were compared, although corresponding sequences were slightly different (95% and 89% identity, respectively). The 14-3-3 intron sequences of the 14-3-3 genes described from *Plasmodium falciparum*, *P. knowlesi* (Al-Khedery et al. 1999) and *C. elegans* (Wang and Shakes 1997) showed no significant identity or similarity regarding size, position or sequence with those in the *Echinococcus* 14-3-3 gene found during our experiments. Lack of 14-3-3 intron conservation between different species has been found by other authors when comparing different isoforms (e.g., De Vetten and Ferl 1994), although clear similarities were found when comparing non-coding sequences from the same 14-3-3 isoform obtained from different organisms (Muratake et al. 1996; Tokooya et al. 2002). Unfortunately, sequences which could represent orthologous genes when compared with the *Echinococcus* 14-3-3 gene were not available.

The number of *E. granulosus* 14-3-3 genes was assessed by Southern blot. Corresponding results show that the *E. granulosus* genome contains more than one 14-3-3 gene, as DNA restriction with enzymes that do

Fig. 4 Phylogenetic tree of selected 14-3-3 proteins (see Materials and methods), showing the positions of the *Echinococcus* 14-3-3 proteins in bold. The aligned sequences were analyzed by the neighbor-joining distance method, using the MEGA ver. 2.1 program. Bootstrap values are indicated at each branch



0.1

not cut in any of the *Echinococcus* 14-3-3 sequences known to date (Siles-Lucas et al. 1998; Fernández et al. 2002; present work) resulted in more than one hybridization signal, although the signals differed in their intensity. These results are in agreement with those found in the literature (Wang and Shakes 1996;

Rosenquist et al. 2000; Ferl et al. 2002), indicating the common occurrence of several 14-3-3 genes in other organisms. A discrepancy between the present results and those obtained before (showing the presence of a single 14-3-3 gene in *E. multilocularis*; Siles-Lucas et al. 1998) could be attributed to the use of different probes

and respective specificity and/or differences in the stringency of the reaction.

The three E14-3-3 isoforms (protein sequences) from *Echinococcus* were used here in a phylogenetic approach to examine their evolution and to look for possible orthologous sequences in other organisms. The resulting phylogenetic tree shows that the *Echinococcus* 14-3-3.1 and 14-3-3.2 isoforms clustered in a distinct group, together with two *Schistosoma* sequences already described as zeta-like isoforms (McGonigle et al. 2002). Thus, our results confirm the close relationship of the E14-3-3.1 isoform with zeta-type ("pro-tumorigenic") 14-3-3 isoforms from other organisms already pointed out by Siles-Lucas et al. (2001). The position of the corresponding branch, in a separate cluster from the 14-3-3 isoforms other than epsilon, suggest that these zeta-like parasite 14-3-3 proteins diverged earlier from the epsilon isoform than in other organisms. The third *Echinococcus* 14-3-3 isoform (E14-3-3.3) clearly grouped with the epsilon isoforms described for *Schistosoma mansoni* and *S. japonicum* (McGonigle et al. 2002). Thus, the E14-3-3.3 sequence represents the epsilon isoform in *Echinococcus*.

In summary, we found the presence of an additional 14-3-3 protein isoform and its corresponding gene (E14-3-3.2) in *Echinococcus*, which contained two introns. Comparison between the three *Echinococcus* isoforms and 14-3-3 proteins from other organisms showed that isoforms E14-3-3.1 and E14-3-3.2 lie in the zeta-like group, while E14-3-3.3 represents the epsilon isoform in this parasite. It will be of interest now to define possible differences in the functionality and localization of these three *Echinococcus* isoforms and their role in parasite survival and development within the host.

Acknowledgements This work was supported by PADCT (620081/95-3), CNPq, FAPERGS, the Swiss National Science Foundation (Project 31-63615.00) and the Ministry of Science and Technology in Spain (Project AGL2002-00644). M.S.L. is the holder of a "Ramón y Cajal" contract. We acknowledge the financial contributions made by the Interreg II project BWA 30.027 and the EU EchinoRisk project QLK2-CT-2001-01995 (BBW 00.0586-1) and also thank J.J. Arenzon for a critical reading of the manuscript and A.P. Nunes for help with the figures.

References

- Aitken A, Collinge DB, Heusden BP van, Isobe T, Roseboom PH, Rosenfeld G, Soll J (1992) 14-3-3 proteins: a highly conserved, widespread family of eukaryotic proteins. *Trends Biochem Sci* 17:498–501
- Al-Khedery B, Barnwell JW, Galinski MR (1999) Stage-specific expression of 14-3-3 in asexual blood-stage *Plasmodium*. *Mol Biochem Parasitol* 102:117–130
- Beitz E (2000) TEXshade shading and labeling multiple sequence alignments using LaTeX2E. *Bioinformatics* 16:135–139
- DeLille JM, Sehne PC, Ferl RJ (2001) The *Arabidopsis* 14-3-3 family of signaling regulators. *Plant Physiol* 126:35–38
- De Vetten NC, Ferl RJ (1994) Two genes encoding GF14 (14-3-3) proteins in *Zea mays*. Structure, expression, and potential regulation by the G-box binding complex. *Plant Physiol* 106:1593–1604
- Ferl RJ, Manak MS, Reyes MF (2002) The 14-3-3s. *Genome Biol* 3:3010.1–3010.7
- Fernández C, Gregory WF, Loke P, Maizels RM (2002) Full-length-enriched cDNA libraries from *Echinococcus granulosus* contain separate populations of oligo-capped and trans-spliced transcripts and a high level of predicted signal peptide sequences. *Mol Biochem Parasitol* 122:171–180
- Jones DH, Ley S, Aitken A (1995) Isoforms of 14-3-3 protein can form homo- and heterodimers in vivo and in vitro: implications for function as adapter proteins. *FEBS Lett* 368:55–58
- Kumar S, Tamura K, Jakobsen IB, Nei M (2001) MEGA2: molecular evolutionary genetics analysis software. *Bioinformatics* 17:1244–1245
- McGonigle S, Beall MJ, Feeney EL, Pearce EJ (2001) Conserved role for 14-3-3 epsilon downstream of type I TGF beta receptors. *FEBS Lett* 490:65–69
- McGonigle S, Loschiavo M, Pearce EJ (2002) 14-3-3 proteins in *Schistosoma mansoni*: identification of a second epsilon isoform. *Int J Parasitol* 32:685–693
- McManus DP, Knight M, Simpson AJ (1985) Isolation and characterisation of nucleic acids from the hydatid organisms, *Echinococcus* spp (Cestoda). *Mol Biochem Parasitol* 16:251–266
- Muratake T, Hayashi S, Ichikawa T, Kumanishi T, Ichimura Y, Kuwano R, Isobe T, Wang Y, Minoshima S, Shimizu N, Takahashi Y (1996) Structural organization and chromosomal assignment of the human 14-3-3 eta chain gene (YWHAH). *Genomics* 36:63–69
- Rosenquist M, Sehne PC, Ferl RJ, Sommarin M, Larsson C (2000) Evolution of the 14-3-3 protein family: does the large number of isoforms in multicellular organisms reflect functional specificity? *J Mol Evol* 51:446–458
- Sambrook J, Fritsch EF, Maniatis T (1989) *Molecular cloning: a laboratory manual*, 2nd edn. Cold Spring Harbor Laboratory Press, Cold Spring Harbor, N.Y.
- Sanger R, Nicklen S, Coulson AX (1977) DNA sequencing with chain-terminating inhibitors. *Proc Natl Acad Sci USA* 74:5463–5467
- Schechtman D, Ram D, Tarrab-Hazdai R, Arnon R, Schechter I (1995) Stage-specific expression of the mRNA encoding a 14-3-3 protein during the life cycle of *Schistosoma mansoni*. *Mol Biochem Parasitol* 73:275–278
- Siles-Lucas M, Felleisen RS, Hemphill A, Wilson W, Gottstein B (1998) Stage-specific expression of the 14-3-3 gene in *Echinococcus multilocularis*. *Mol Biochem Parasitol* 91:281–293
- Siles-Lucas M, Nunes CP, Zaha A, Breijo M (2000) The 14-3-3 protein is secreted by the adult worm of *Echinococcus granulosus*. *Parasite Immunol* 22:521–528
- Siles-Lucas M, Nunes CP, Zaha A (2001) Comparative analysis of the 14-3-3 gene and its expression in *Echinococcus granulosus* and *Echinococcus multilocularis* metacestodes. *Parasitology* 122:281–287
- Thompson JD, Gibson TJ, Plewniak F, Jeanmougin F, Higgins DG (1997) The ClustalX windows interface: flexible strategies for multiple sequence alignment aided by quality analysis tools. *Nucleic Acid Res* 24:4876–4882
- Thompson RCA (1995) Biology and systematics of *Echinococcus*. In: Thompson RCA, Lymbery AJ (eds) *Echinococcus* and hydatid disease. CAB International, Wallingford, pp 1–50
- Toyooka K, Muratake T, Watanabe H, Hayashi S, Ichikawa T, Usui H, Washiyama K, Kumanishi T, Takahashi Y (2002) Isolation and structure of the mouse 14-3-3 eta chain gene and the distribution of 14-3-3 eta mRNA in the mouse brain. *Brain Res Mol Brain Res* 100:13–20
- Voigt J, Liebich I, Wostemeyer J, Adam KH, Marquardt O (2000) Nucleotide sequence, genomic organization and cell-cycle-dependent expression of a *Chlamydomonas* 14-3-3 gene. *Biochim Biophys Acta* 1492:395–405
- Wang W, Shakes DC (1996) Molecular evolution of the 14-3-3 protein family. *J Mol Evol* 43:384–398
- Wang W, Shakes DC (1997) Expression patterns and transcript processing of *ftt-1* and *ftt-2*, two *C. elegans* 14-3-3 homologues. *J Mol Biol* 268:619–630