

Erratum to: Retention of triplicated phytoene synthase (*PSY*) genes in *Brassica napus* L. and its diploid progenitors during the evolution of the *Brassicaceae*

Pablo D. Cárdenas · Humberto A. Gajardo ·
Terry Huebert · Isobel A. Parkin ·
Federico L. Iniguez-Luy · María L. Federico

Published online: 20 April 2012
© Springer-Verlag 2012

Erratum to: Theor Appl Genet (2012) 124:1215–1228 DOI 10.1007/s00122-011-1781-7

In the original version of the article, the names of the six *BnaX.PSY* (*a-f*) genes are incorrectly spelled in Fig. 3. The correct names for these six genes are: *BnaC.PSY.a*, *BnaA.PSY.b*, *BnaA.PSY.c*, *BnaA.PSY.d*, *BnaC.PSY.e* and *BnaC.PSY.f*. Please find the corrected figure here. The same spelling mistake occurs twice in the text when referring to the three *Brassica napus* homeologous *PSY* gene pairs. The identity of the homeologous *BnaX.PSY* gene pairs do not change and should always read: *BnaC.PSY.a/BnaA.PSY.b*, *BnaA.PSY.c/BnaC.PSY.e* and *BnaA.PSY.d/BnaC.PSY.f*.

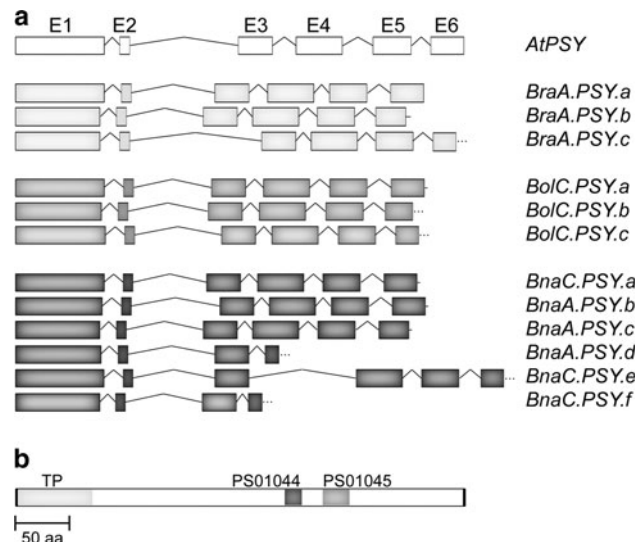


Fig. 3 Brassica *PSY* gene families. **a** Schematic representation of Arabidopsis *PSY* gene (*AtPSY*, *At5g17230*) and the assembled contigs generated for *B. rapa* (*BraA.PSY.a-c*), *B. oleracea* (*BolC.PSY.a-c*) and *B. napus* (*BnaX.PSY.a-f*). Exons and introns are drawn to scale and represented by boxes (E1–E6) and lines, respectively. Gene structures were deduced from FGENESH predictions and alignment analysis. For details, lengths of the exons and introns are shown in Table 1. **b** Structure of Brassica *PSY* proteins. Chloroplast transit peptide (TP) and phytoene synthase signatures (PROSITE patterns PS01044 and PS01045) are depicted

The online version of the original article can be found under doi:10.1007/s00122-011-1781-7.

P. D. Cárdenas · H. A. Gajardo · F. L. Iniguez-Luy ·
M. L. Federico (✉)
Genomics and Bioinformatics Unit, Agriaquaculture Nutritional
Genomic Center (CGNA) CONICYT-Regional, GORE La
Araucanía, R10C1001, km 10 Camino Cajón-Vilcún, INIA,
PO Box-58D, Temuco, Chile
e-mail: maria.federico@cgna.cl

P. D. Cárdenas
Master Program in Biochemistry and Bioinformatics,
Universidad de Concepción, Concepción, Chile

T. Huebert · I. A. Parkin
Agriculture and Agri-Food Canada, 107 Science Place,
Saskatoon, SK S7N 0X2, Canada