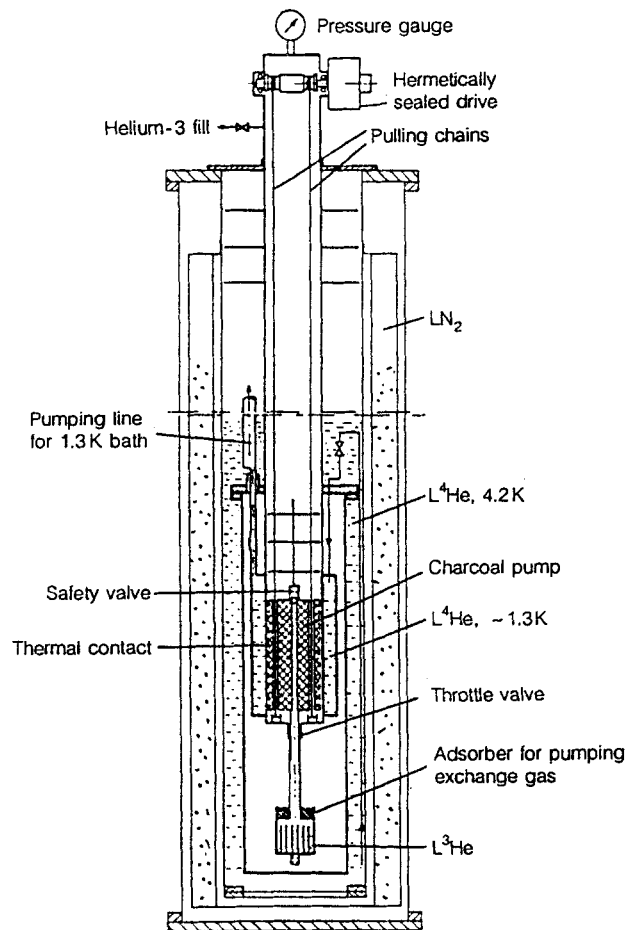


F. Pobell, University of Bayreuth

# Matter and Methods at Low Temperatures



Hermetically sealed, charcoal pumped  $^3\text{He}$  refrigerator. The charcoal pump can be raised or lowered by means of a chain drive operated via a hermetically closed rotating seal

1991. XI, 319 pp. 192 figs. Hardcover DM 118,-  
ISBN 3-540-53751-1

This textbook contains a wealth of information essential for successful experiments at low temperatures. The first chapters describe the low-temperature properties of liquid and solid matter, including liquid helium. The major part of the book is devoted to refrigeration techniques and the physics on which they rely, the definition of temperature, thermometry, and a variety of design and construction techniques. The lively style and practical basis of this text make it easy to read and particularly useful for anyone beginning research in low-temperature physics.

□ Heidelberger Platz 3, W-1000 Berlin 33, F.R. Germany  
□ 175 Fifth Ave., New York, NY 10010, USA  
□ 8 Alexandra Rd., London SW19 7JZ, England  
□ 26, rue des Carmes, F-75005 Paris, France  
□ 37-3, Hongo 3-chome, Bunkyo-ku, Tokyo 113, Japan  
□ Room 701, Mirror Tower, 61 Mody Road, Tsimshatsui, Kowloon, Hong Kong  
□ Avinguda Diagonal, 468-4<sup>o</sup> C, E-08006 Barcelona, Spain  
□ Wesselényi u. 28, H-1075 Budapest, Hungary



tm.30.320/V/2h

## FORTHCOMING PAPERS

The Anomalous Thermal Radiation of Metals Produced by Ultrashort Laser Pulses

M. B. Agranat, S. I. Anisimov, B. I. Makshantsev (USSR)

The Application of a Raman-Shifted Tunable KrF Excimer Laser for Laser-Induced Fluorescence Combustion Diagnostics

T. Dreier, A. Dreizler, J. Wolfrum (F. R. Germany)

Measurement of Ultraviolet Femtosecond Pulses Using the Optical Kerr Effect

H.-St. Albrecht, P. Heist, J. Kleinschmidt, D. van Lap, T. Schröder (F. R. Germany)

Special Issue on Quantum Noise Reduction in Optical Systems — Experiments

Guest editors: E. Giacobino, G. Fabre (Paris)

## Applied Physics A 55, No. 2 (1992)

H. Zimmermann, H. Ryszel

Gold and Platinum Diffusion: The Key to the Understanding of Intrinsic Point Defect Behavior in Silicon 121

A. K. Jonscher

Relaxation of Polarisation 135

D. Guidotti, M. A. Taubenblatt, S. J. Batchelder, R. L. Kleinhenz, A. A. Dupnock

Non-Intrusive Mapping of Subsurface Defects in Semiconductors 139

B. Macalik, L. E. Bausa, J. Garcia-Sole, F. Jaque, J. E. Muñoz Santiuste, I. Vergara

Blue Emission in Ti-Sapphire Laser Crystals 144

K. Pekała, P. Jaśkiewicz, D. Oleszak, R. Trykozko

Surface and Bulk Crystallization of Amorphous Alloys Ni-Si-B Probed by Electrical Resistivity 148

L. Torres, M. Zazo, J. Iñiguez, M. Quintillán

Ferrimagnetic Resonance Linewidths of Nickel Ferrites from 26.5 to 60 GHz 154

J. Li, X. Cai, T. M. Wang

Electronic Structures of Fe in  $\text{La}_{1-x}\text{Ba}_x\text{FeO}_{3-y}$  ( $0 \leq x \leq 0.70$ ) 158

V. I. Emel'yanov, P. K. Kashkarov

Laser-Induced Defect Formation in Semiconductors 161

M. A. Affifi, H. H. Labib, M. H. El-Fazary, M. Fadel

Electrical and Thermal Properties of Chalcogenide Glass System  $\text{Se}_{75}\text{Ge}_{25-x}\text{Sb}_x$  167

M. Georgiev, J. Singh

On the Theory of Laser Sputtering Through Pairing of Holes in Compound Semiconductors 170

Yu. Wen Zhao, H. Suhr

Aluminium Oxide Thin Films Prepared by Plasma-Enhanced Chemical Vapour Deposition 176

A. Czernik, H. Palm, W. Cabanski, M. Schulz, U. Suckow

Infrared Photoemission of Holes from Ultrathin (3–20 nm) Pt/Ir-Compound Silicide Films into Silicon 180

J. T. Lue, T. W. Nee, J. J. Chu, C. M. Chang

Electronic Structure and Optical Spectra of  $\text{YBa}_2\text{Cu}_3\text{O}_{7-\delta}$  Thin Films in the Infrared and UV Region 192

J. Messelhäuser, E. B. Flint, H. Suhr

Direct Writing of Gold Lines by Laser-Induced Chemical Vapor Deposition 196

R. Ionov, T. Dudev

Raman and Infrared Study of Amorphous SeTe/CdSe Superlattices 203

N. Okada, Y. Katsumura, K. Ishigure

Improvement of Corrosion Resistance of Carbon Steel Using Chemical Vapor Deposition from  $\text{Cr}(\text{CO})_6$  with an ArF Excimer Laser 207

S. N. Al-Refaie

The Distribution of Trapping States at the Al/InP-Oxide Interface 213

W. T. Chyla, W. D. Deering

Expulsion of Carriers from the Double-Barrier Quantum Well and Investigation of its Spectral Consequences 218

E. V. Albano

Monte Carlo Simulation of a Bimolecular Reaction of the Type  $A + (1/2)B_2 \rightarrow AB$  — The Influence of A-Desorption on Kinetic Phase Transitions 226